

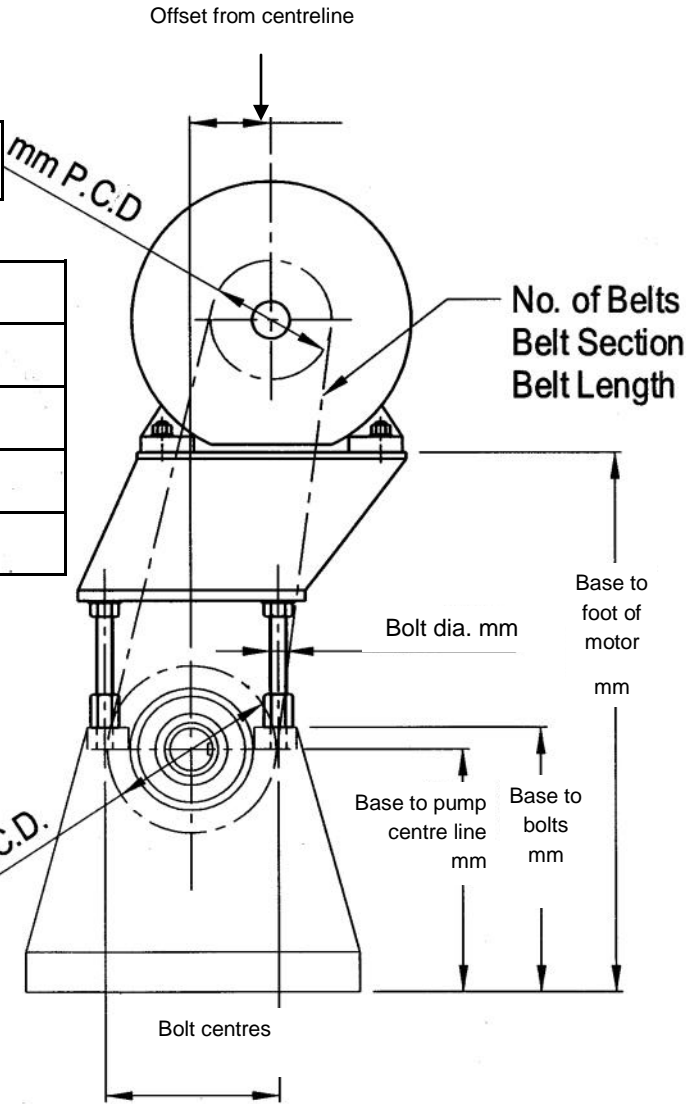
# Data Sheet for CV Configuration Pump Drives

|           |  |         |  |
|-----------|--|---------|--|
| Client:   |  | Contact |  |
| Position: |  | Mob:    |  |
| Email:    |  |         |  |

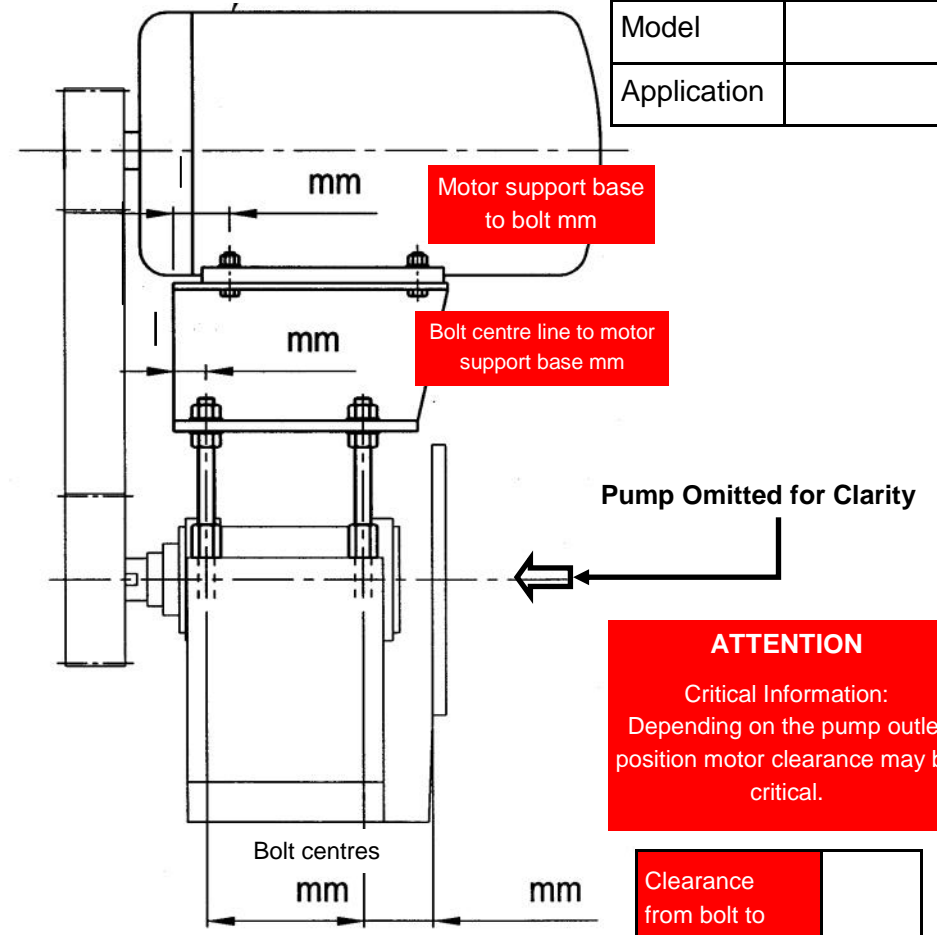
|               |  |
|---------------|--|
| Driven Pulley |  |
|---------------|--|

| MOTOR |  |
|-------|--|
| Brand |  |
| kW    |  |
| Frame |  |
| Poles |  |

|              |  |
|--------------|--|
| Drive Pulley |  |
|--------------|--|



| PUMP        |  |
|-------------|--|
| Make        |  |
| Model       |  |
| Application |  |



|                                     |  |
|-------------------------------------|--|
| Clearance from bolt to Pump face mm |  |
|-------------------------------------|--|



**Adjusting Screw**

*Required this side*

**or**

*Opposite side*

**PLEASE TICK A BOX**