

Name	Company
	Pump Make & Model
Date:	ID or Tag No.
	Application

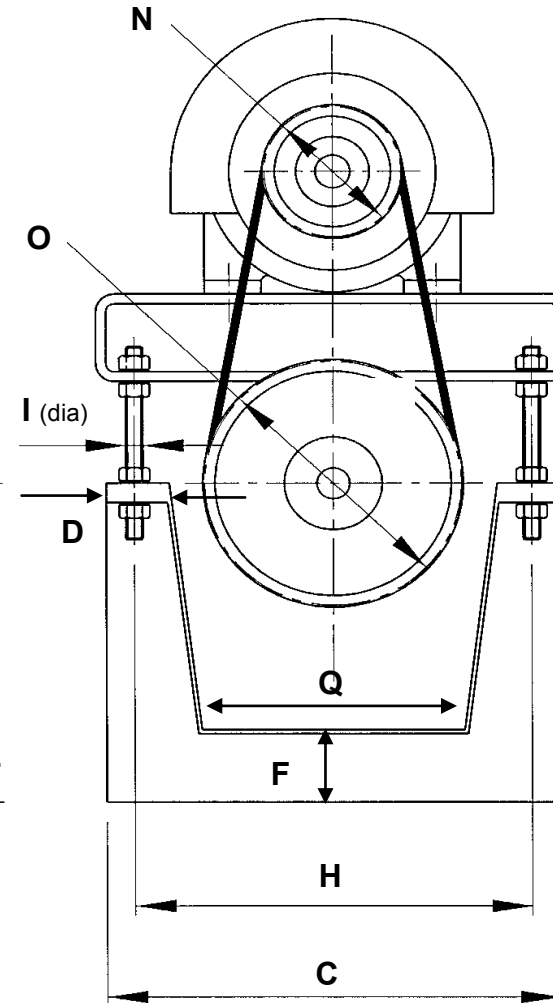
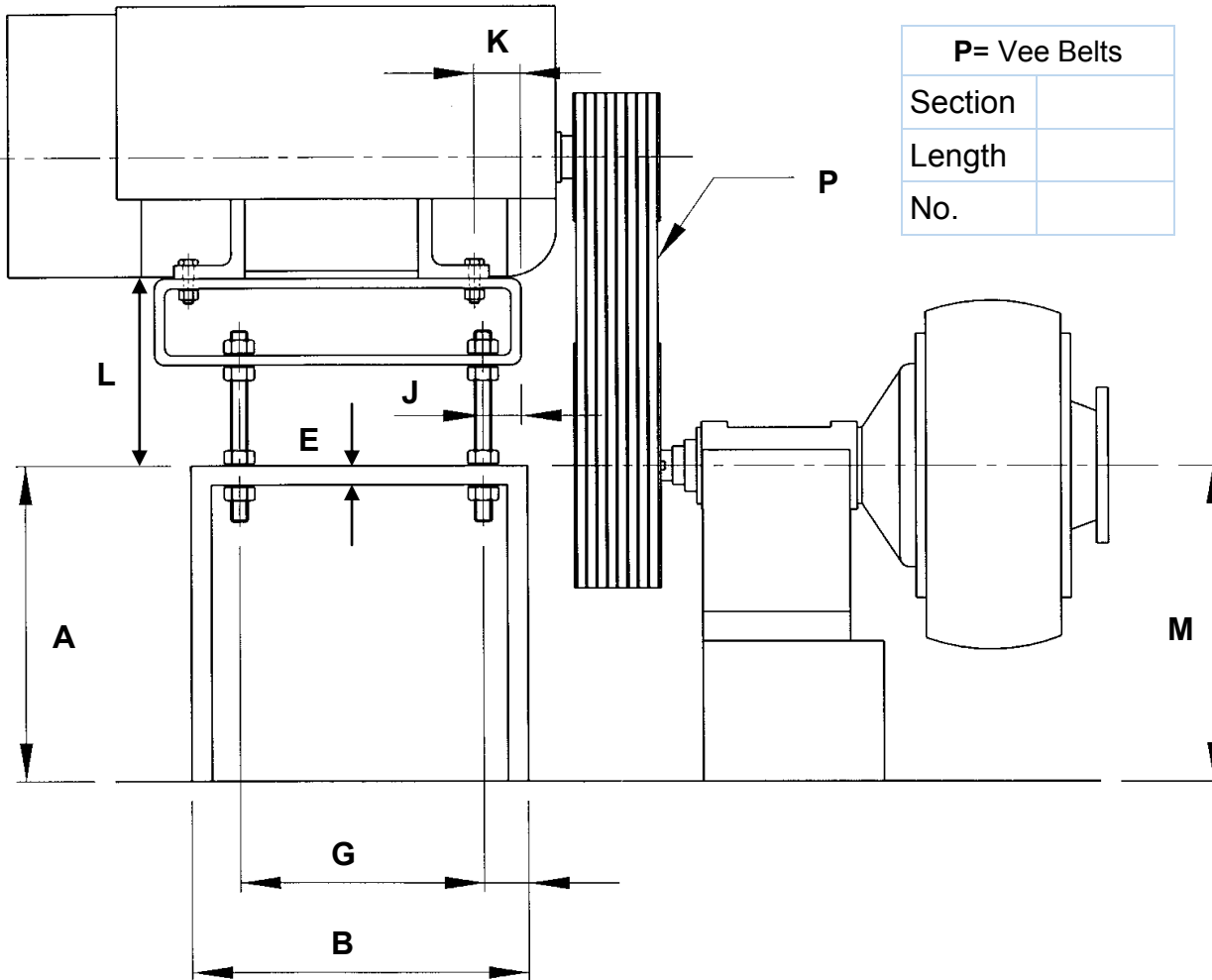
VL Data Sheet or ZV Pump Drives



All information requested must be completed to allow us to fit your new Verti-lift® or ZV Motor base back into the existing position.

Motor		kW		Frame		Poles	
-------	--	----	--	-------	--	-------	--

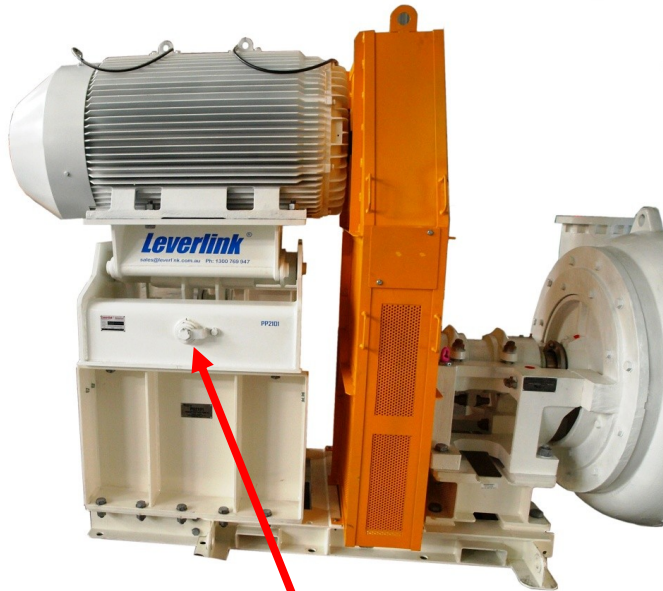
N = Drive Pulley Dia.		O = Driven Pulley Dia.	
------------------------------	--	-------------------------------	--



A	
B	
C	
D	
E	
F	
G	
H	
I	
J	
K	
L	
M	
N	Pulley
O	Pulley
P	Belts
Q	

Which Side Do You Require The Adjusting Bolt?

PLEASE TICK A BOX BELOW



VL Data Sheet for ZV Pump Drives

All information requested must be completed to allow us to fit your new Verti-lift® Motorbase back into the existing position.