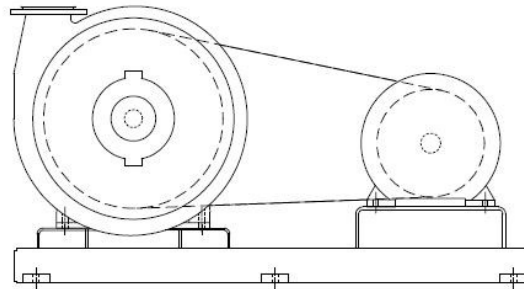


Data Sheet

Pump Drive - Horizontal in C Configuration (RH Assembly).

Name	Company	
Contact Details	Pump Make & Model	
	ID or Tag No.	
	Application	
Date:		



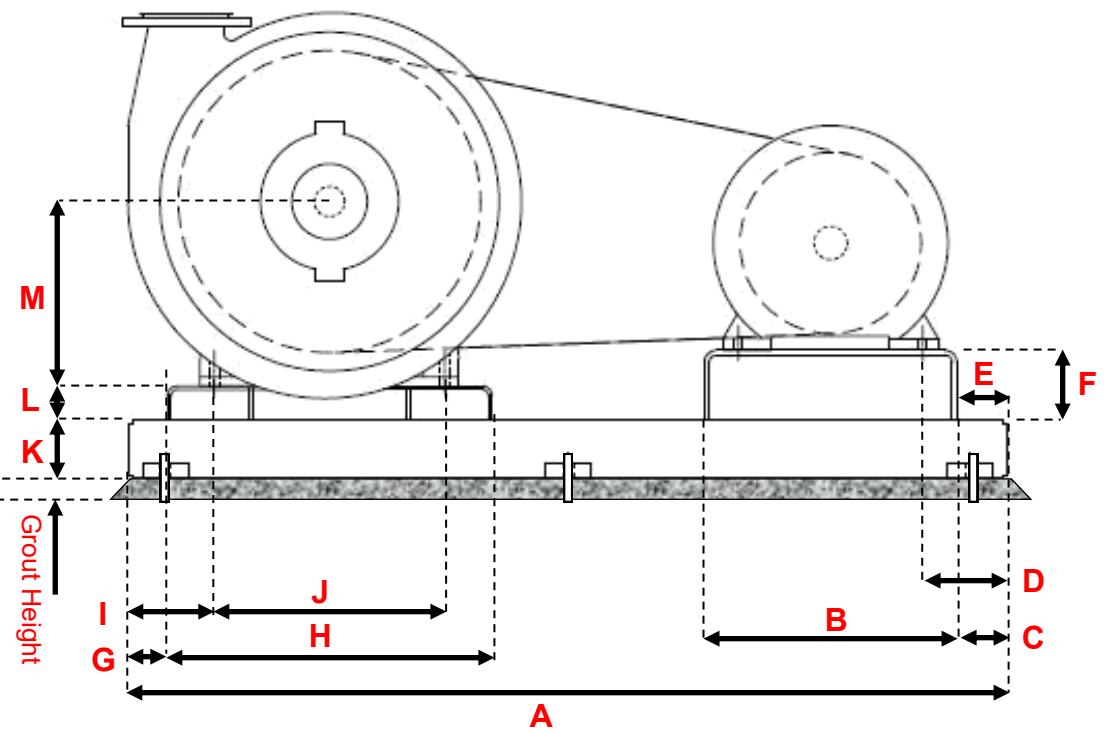
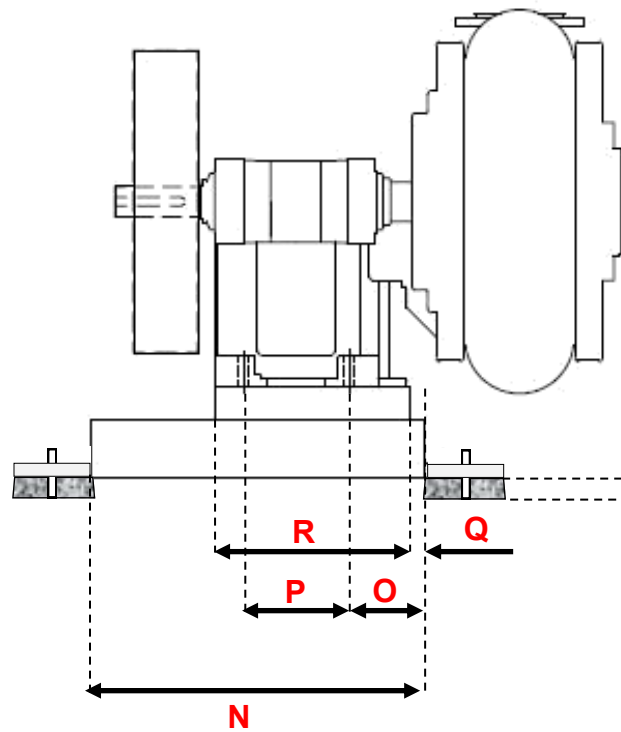
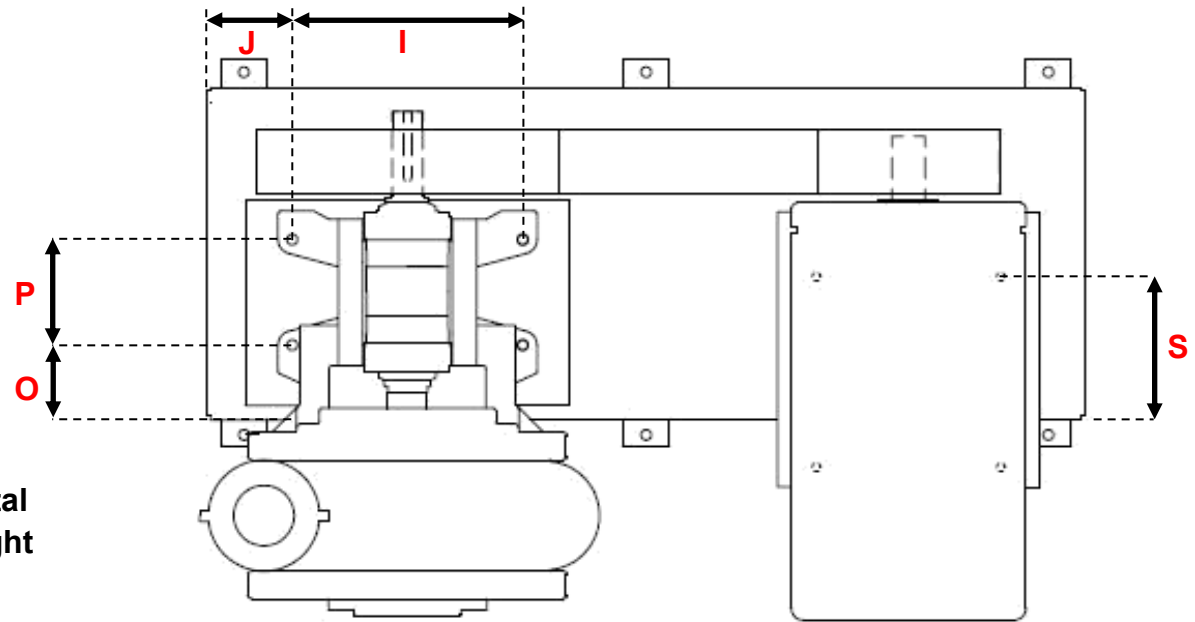
Functional Specifications		
Pulleys	Drive	Driven
	PCD	
Vee Belts	Section	Length & Number
Motor	kW	Frame & poles

2017

LLE- 011 - 0317

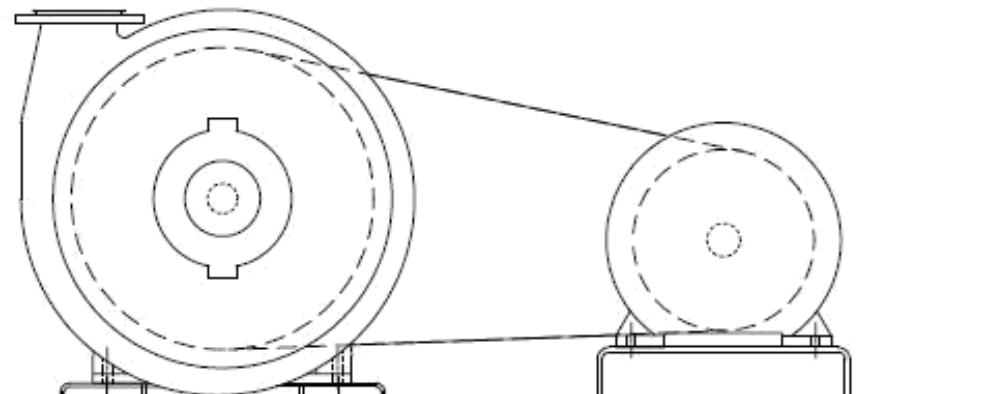
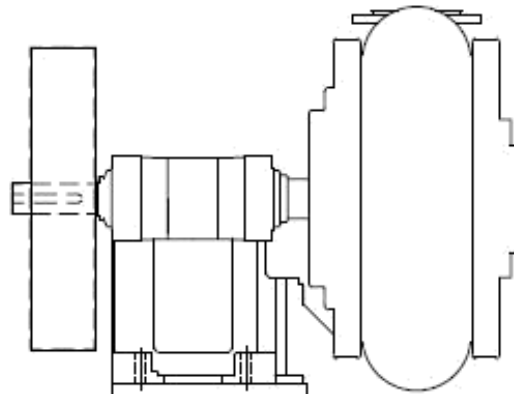
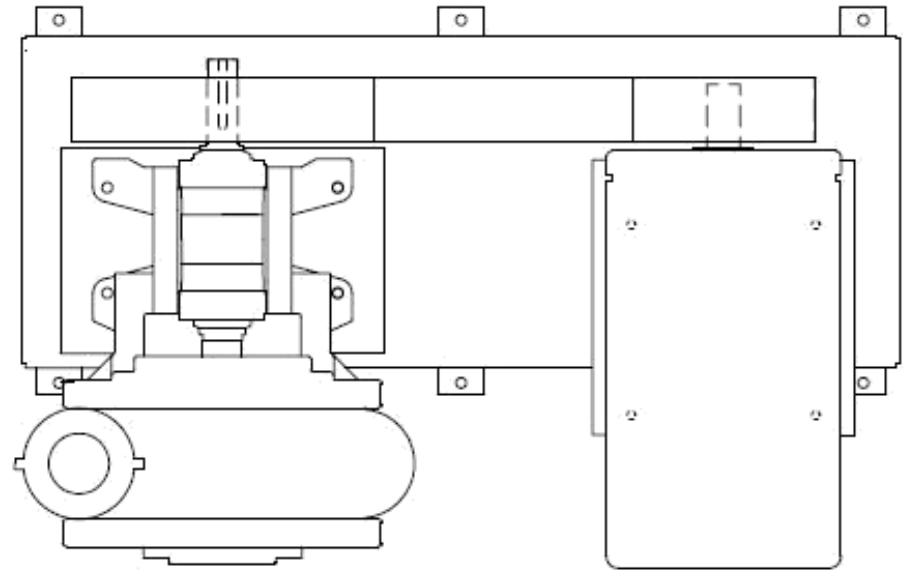
A	
B	
C	
D	
E	
F	
G	
H	
I	
J	
K	
L	
M	
N	
O	
P	
Q	
R	
S	

**Data Sheet (Retrofit) for Horizontal
C Configuration Pump Drive. Right
Hand (RH) Assembly.**



Concrete Plinth & or Guard Data LH Assembly.

A	
B	
C	
D	
E	
F	
G	
H	
I	
J	



Dia. Hold Down Bolts.
e.g.M30.

